

**Plate data:**

Thickness 0,17 ± 0,01  
 Hardness Temper 2 – 2,5

**Gauge measures:**

- 1) 6,7 – 7,0
- 2) 26,7 – 27,0

**Liner measures:**

Outside diameter Ø 24,75 ± 0,25  
 Inside diameter Ø 19,05 ± 0,25

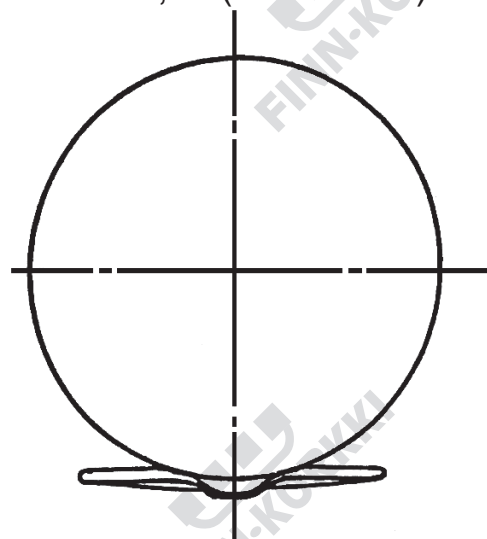
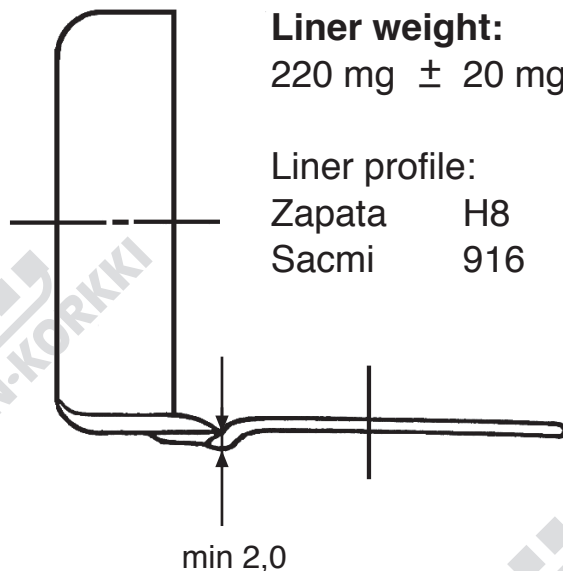
Ring height 1,20 ± 0,25 (metal+liner)  
 Panel thickness 0,35 ± 0,10 (metal+liner)

**Liner weight:**

220 mg ± 20 mg

**Liner profile:**

Zapata H8  
 Sacmi 916



Rev. 09-11-12